



LED LKD Solar Street Light



SOLAR STREET LIGHT

Professional street lighting solutions provider

- 🔧 OEM & ODM
- 🔧 Free DIALux Design
- 🔧 MPPT Solar Charge Controller
- 🔧 ISO9001/CE/CB/LM-79/EN62471/IP66/IK10

[CONTACT US +](#)



Easier battery replacement



Remote control



Energy saving



Solar charging



High brightness

IP65

LM-80



Outdoor rainproof



High capacity battery



Die-cast aluminum



Long service life

Features

1. Easy to install and maintain, with replaceable battery compartment
2. Lithium LifePO4 battery, long lasting can support 4-7 rainy days.
3. Cycle times up to 2000+, high temperature resistance 60°C.
4. High lumen up to 210lm/w. Lumileds Led chip.
5. Monocry-silicon solar panel with MPPT controller for fast charging 4-6 hours
6. Lifespan up to 50.000 years.
7. Optical Lens : High transmittance, soft light, long life

Applications

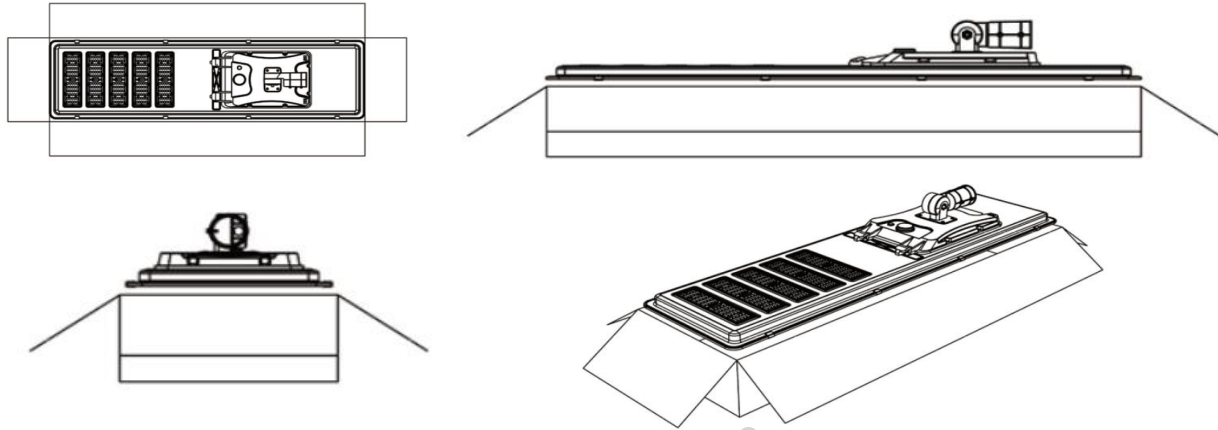
- Road Lighting
- Industrial Parks roads
- Highways
- Urban street
- Countryside
- Sidewalk
- Car parks

Technical Data

Model No	GH-LKD-15W	GH-LKD-20W	GH-LKD-30W
Solar Panel Mono.	6V/25W	6V/35W	6V/50W
Solar panel Lifespan	25 years		
Solar Panel Size	500*279mm	605*323mm	842*341mm
Battery	Lithium LiFePO4 3.2V 24AH	Lithium LiFePO4 3.2V 32AH	Lithium LiFePO4 3.2V 72AH
Battery lifespan	> 2000 times cycle charging		
LEDs	Lumileds 2835 smd 100pcs	Lumileds 2835 smd 180pcs	Lumileds 2835 smd 240pcs
CRI	>80		
CCT	2200K-3500k; 4000K-6000k; 6000k-6500k (Optional)		
Power Factor	>0.9		
Lamp BodyMaterial	Aluminum		
IP Grade	IP65		
Luminous	210lm/w		
Beam Angle	TYPE I-140°*70°, TYPE II-90°*150°, TYPE III-150°*80°		
Charge Time	4-6 Hours		

Discharge Time	induction mode > 48H, full power > 14H support 3-7 rainy days		
Working Temp	-20°C ~ +60°C		
Controller	PWM/MPPT		
Warranty	3 Years		
Certificate	CE/RoHS, IP65, LM80		
Lighting Method	Microwave induction + Segmented time control + intelligent control		
Installation Height	4M	5M	6M

Product Dimension & Package Details



Model	L(Norm)	W(Norm)	H(Norm)	N.W/CTN	G.W/CTN	Qty/CTN	Size/CTN
GH-LKD-15W	552mm	282mm	130mm	10KG	11KG	2PCS/CTN	570*350*235mm
GH-LKD-20W	657mm	325mm	130mm	12.4KG	13.4KG	2PCS/CTN	670*395*235mm
GH-LKD-30W	860mm	350mm	130mm	15.2KG	16.2KG	2PCS/CTN	910*410*280mm

Structure



Triple 8 Group of Companies by emc 2 Thailand

Website: www.th8group.com Tel: 66-61-6628822 Email address: pichaya@th8group.com
 Address: Building A, Aspire Rattana Thibet 185 Bangkasor Muang Nonthaburi 11000 Thailand